

Door Station User's Manual

Ip200



Welcome

Thank you for purchasing our device!

This manual is designed to be a reference tool for your system.

Please keep this manual well for future reference.

Table of Contents

1	Overview	1
2	Basic Functions	3
2.1	Call Management Centre	3
2.2	Call Residents	3
2.2.1	Call Status	3
2.3	Monitor Function	4
2.4	Unlock Function	4
2.4.1	Unlock During the Dial Process.....	4
2.4.2	Unlock During the Communication	4
2.4.3	Unlock During the Monitor Status.....	4
2.4.4	Unlock via the Password.....	4
2.4.5	Unlock via ID card	5
2.5	Environment Light Compensation Function	5
2.6	External Alarm Function.....	5
3	Specifications	6
4	Device Port	7
5	FAQ	10

1 Overview

Connect the device to the power, the system booted up properly. It goes to the standby interface. See Figure 1-1.

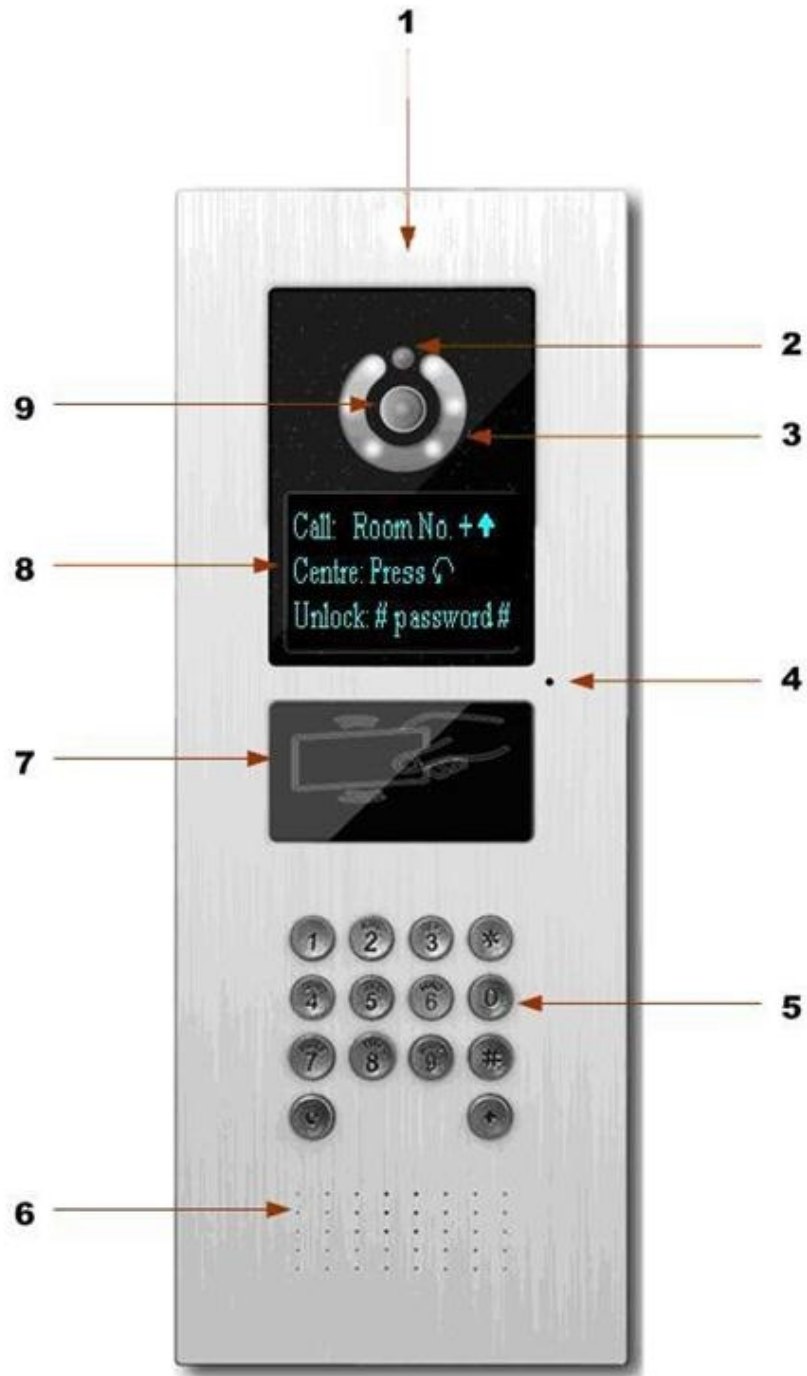








Figure 1-1

Please refer to the following sheet for detailed information.



SN	Name	Function
1	Logo	.

2	Photosensitive Component	It can detect the environment light,. It is a compensation light option.
3	Compensation Light	It can compensate the camera light in the low illumination environments.
4	Microphone	Audio input
5	Key Panel	<p>1. * button. Backspace function. It is to delete the previous symbol. Hang up function. It is to hang up the phone.</p> <p>2. Number button. Input the number 0 to 9.</p> <p>3. # button. When you are using the password to open the door. Click this button once to begin input. After you input the password, please click it again to complete the operation.</p> <p>4.  Call button. After you input the room number, click it to begin a dial up.</p> <p>5.  Call management centre button. Click it to call the management centre directly.</p>
6	Speaker	Output audio
7	Card Induction zone	Use the card to open the door.
8	LCD	<p>Here you can view prompt information, date, time and etc.</p> <p>Note:</p> <p>1. "Resident: room number+ press ↑ button". Please input the room number first and then click the button  to dial ;</p> <p>2."Centre: Press ↙ button". Please click the button  to call the management centre.</p> <p>3."Unlock : # + room number + password + #" , If you want to open the door via the password, please click the button  and then input the room number and password. Please click the button</p>

		 to confirm.
9	Camera	It is to monitor the video of the door.



2 Basic Functions

2.1 Call Management Centre

In the standby status (Figure 1-1), click the  button, this door station will call the management centre. The video door phone begins when the management station is picked up. During the whole process, you can click the button  to end current dialogue and return to the standby interface.


2.2 Call Residents

2.2.1 Call Status

In the standby status, input the room number and then click the button , you can generate a call to the indoor station of the resident. During the process, you can click the button  to end current dialogue and return to the standby interface.

2.2.2 Communication status

After you generated a call to the indoor station, if there is response, you can go to the

communication status. It can realize the dual-way video phone. During the process, you can click the button  to end current dialogue and return to the standby interface.

2.3 Monitor Function

The management station and the indoor station can both enable the monitor function of this device. You can open the camera and monitor the device video.

2.4 Unlock Function

2.4.1 Unlock During the Dial Process

During the dial process, the management station and the indoor station can open the e-lock of the device remotely. There is a 15-second for you to confirm the unlock operation. During these 15 seconds, the video is properly displayed. After the 15 seconds countdown, system returns to the standby interface.



2.4.2 Unlock During the Communication

During the communication process, the management station and the indoor station can open the e-lock of the device remotely. There is a 15-second for you to confirm the unlock operation. During these 15 seconds, the communication is OK and the video is properly displayed. After the 15 seconds countdown, the phone automatically hangs up.

2.4.3 Unlock During the Monitor Status

During the monitor status, the management station and the indoor station can open the e-lock of the device remotely. There is a 15-second for you to confirm the unlock operation. During these 15 seconds, the video is properly displayed. After the 15 seconds, the video automatically disappears.

2.4.4 Unlock via the Password

In the standby status, click the button  and then input the room number and password. Click the button  to confirm the operation. The door is open if the password authentication is OK.

2.4.5 Unlock via ID card

The door is open after you passed the authentication ID card and passed the station verification.

2.5 Environment Light Compensation Function

This device has the light compensation function when it is in the low illumination environments or it is at night. It includes the LCD backlight and the camera compensation light.

2.6 External Alarm Function

The device has 4-channel alarm input. They can be used for the status detect, door on-off button and vandal proof alarm function.

It has 2-channel alarm output. There are two modes: NO/NC. It can also be used for other general controls. Please refer to the following contents for detailed information.

3 Specifications

Model	DPC-IP200
OS	
Main Processor	Embedded micro processor
OS	Embedded LINUX OS
Video	
Video Compression Standard	H.264
Input/Approaching induction	1/3-inch color CCD camera , 420 TVL , 0.1lux/F1.2
Night Vision	Support
Audio	
Input	Microphone
Output	Built-in speaker
Bidirectional Talk	Support dual-way bidirectional talk
Display	
LCD Dimensions	2.8-inch OLED
Resolution	256*64
Operation Mode	
Input	Digital keyboard
Card	Built-in ID card induction reader
Alarm	
Input	4-channel
Output	2-channel
Vandal proof	Support
Locker Status Detect	Support
Network	
Ethernet	10M/100Mbps Self-adaptive
Network Protocol	TCP/IP, SNMP
Storage	
Memory	128MB
Others	
Power	DC 10~15V
Power Consumption	Standby≤1W ; work≤10W

Working Environments	-10°C~+55°C
	< 10~90%RH
Dimensions	376mm*151mm*60mm (L*W*H)
Weight	1.6kg

4 Device Port

The device rear panel is shown as in Figure 4-1.

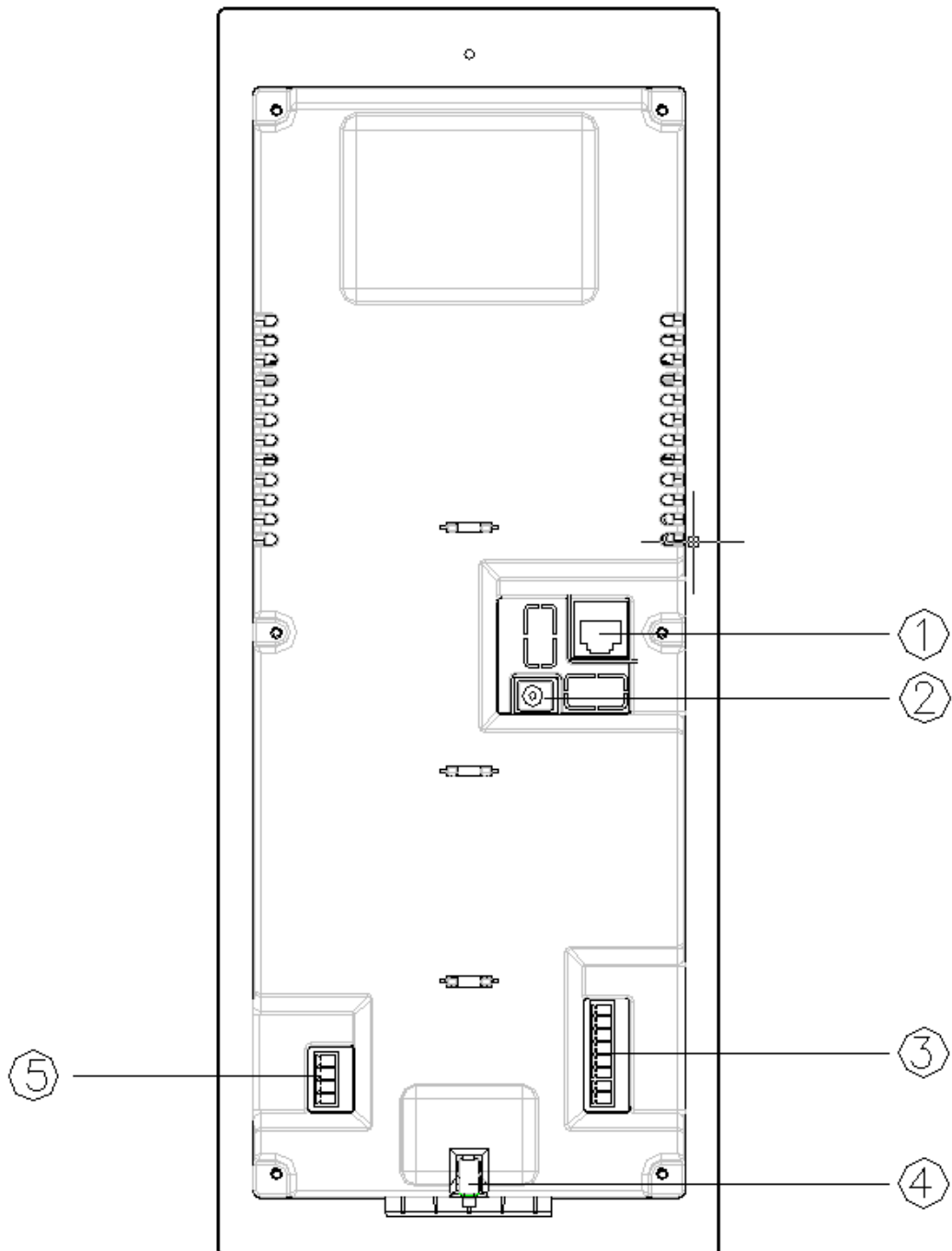

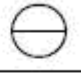
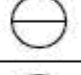
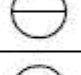

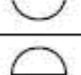
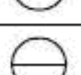
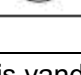

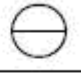
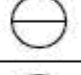
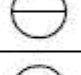

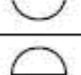
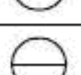
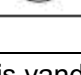

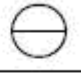
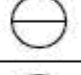
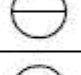

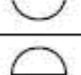
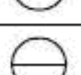
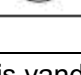
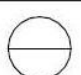
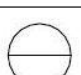
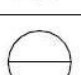
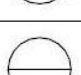
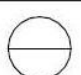
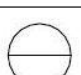
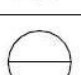
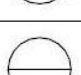
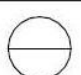
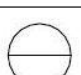
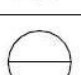
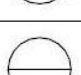
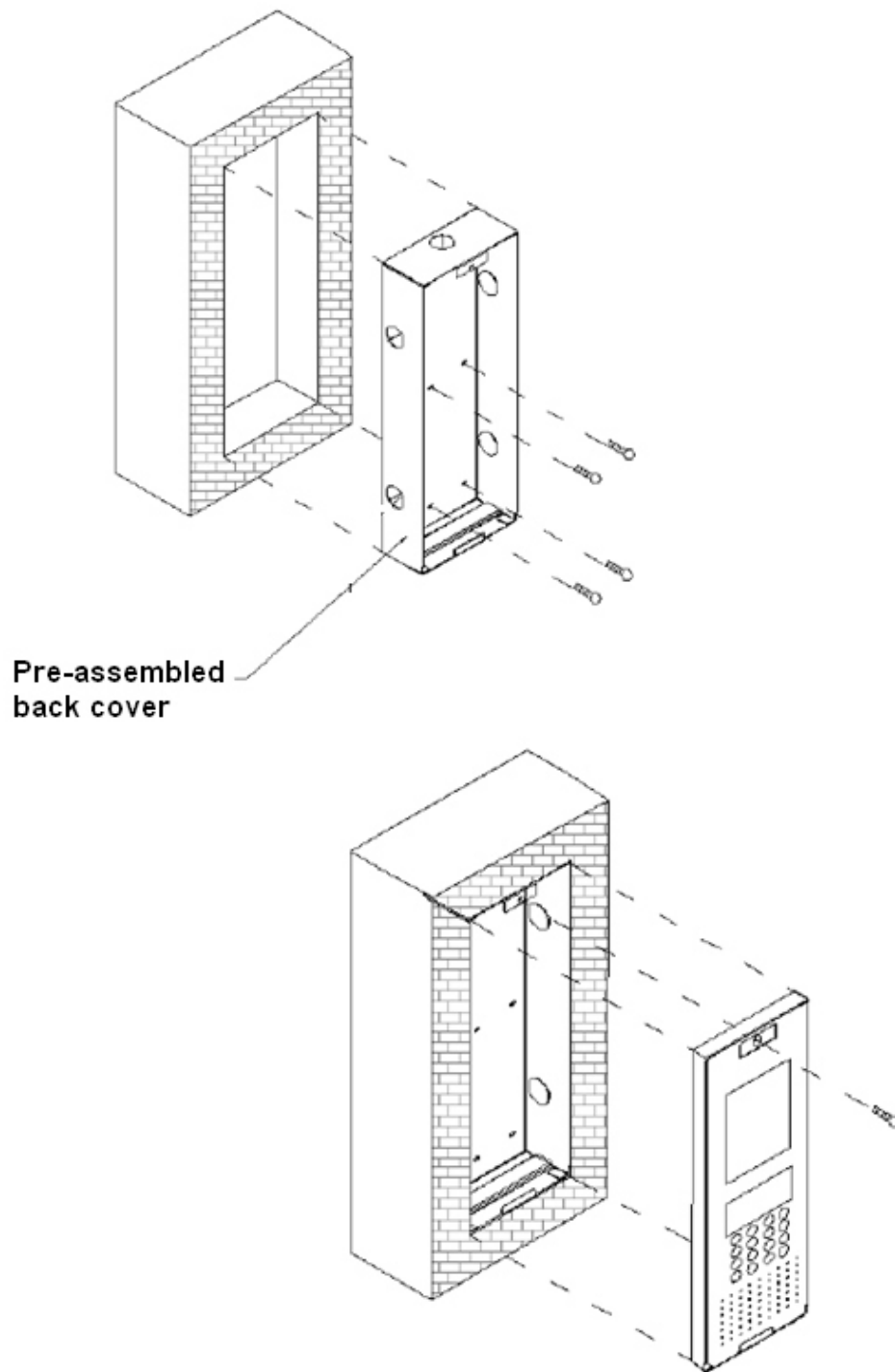


Figure 4-1

Please refer to the following sheet for detailed information.

SN	Port Name	Function																
1	Network Port	Connect to the RJ45 port.																
2	Power Port	Connect to 12V DC.																
3	Alarm port	<p>Connect to alarm signal.</p> <table style="margin-left: auto; margin-right: auto;"> <tr> <td>GND</td> <td></td> </tr> <tr> <td>DO_COM</td> <td></td> </tr> <tr> <td>DO_NO</td> <td></td> </tr> <tr> <td>GND</td> <td></td> </tr> <tr> <td>Alarm Input 1 DIN1</td> <td></td> </tr> <tr> <td>Alarm input 2 DIN2</td> <td></td> </tr> <tr> <td>Door Magnetic Input DIN3</td> <td></td> </tr> <tr> <td>Door on-off Button DIN4</td> <td></td> </tr> </table>	GND		DO_COM		DO_NO		GND		Alarm Input 1 DIN1		Alarm input 2 DIN2		Door Magnetic Input DIN3		Door on-off Button DIN4	
GND																		
DO_COM																		
DO_NO																		
GND																		
Alarm Input 1 DIN1																		
Alarm input 2 DIN2																		
Door Magnetic Input DIN3																		
Door on-off Button DIN4																		
4	Vandal proof alarm button	It can generate an alarm when there is vandal operation.																
5	E-lock control port	<p>Connect to E-lock.</p> <table style="margin-left: auto; margin-right: auto;"> <tr> <td></td> <td>COMM</td> </tr> <tr> <td></td> <td>NC</td> </tr> <tr> <td></td> <td>NO</td> </tr> <tr> <td></td> <td>GND</td> </tr> </table>		COMM		NC		NO		GND								
	COMM																	
	NC																	
	NO																	
	GND																	

5 Installation Diagram



6 FAQ

Q : I can not boot up the device, or I can see the LCD is black.

A : Please check your power cable connection.

Q : I can not call.

A : Please check your network connection.

Q : I have some problems, I am not so sure or I can not fix.

A : Please contact your local retailer for help.

Note:

This manual is for reference only. Slight difference may be found in user interface.

All the designs and software here are subject to change without prior written notice.

If there is any uncertainty or controversy, please refer to the final explanation of us.

Please visit our website or contact your local service engineer for more information.