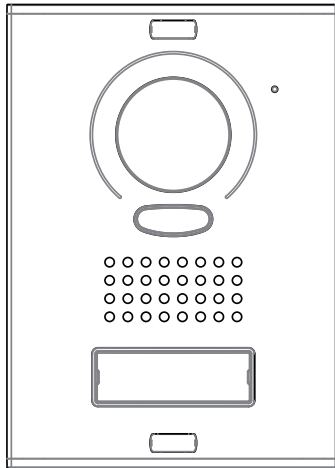


2 -Wire Intercom System

DT598 User Manual



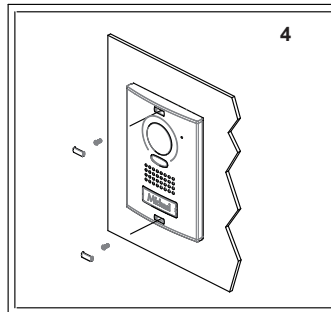
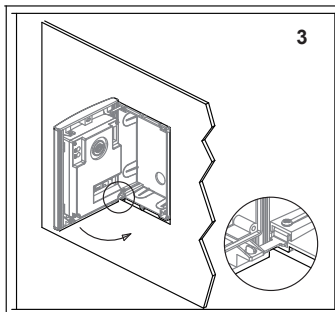
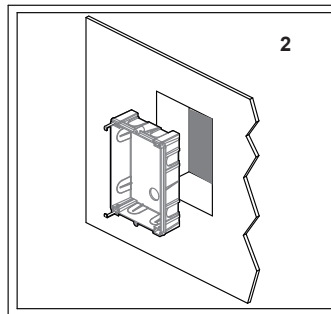
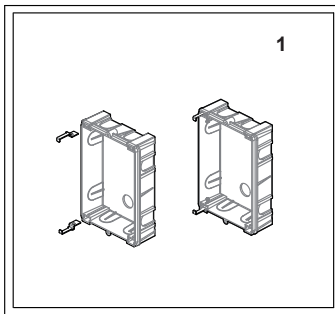
CONTENTS

1.Parts and Functions.....	1
2.Terminal Descriptions	1
3.Mounting and Setting.....	2
3.1 Door station Mounting	2
3.2 Placing Name Label.....	3
3.3 Adjusting Camera Angle	3
3.4 Button Mode Setting	4
4.System Wiring and Connections.....	4
4.1 Basic Connection.....	4
4.2 Electric Lock Connection	5
4.2.1 Door Lock Controlled with Internal Power	5
4.2.2 Door Lock Controlled with Dry Contact.....	5
4.2.3 How to setup the unlock parameter in Monitor	6
4.3 Multi Door stations Connection.....	7
4.4 Multi Monitors Connection	8
4.4.1 Basic IN-OUT Wiring Mode	8
4.4.2 With DBC-4 Wiring Mode.....	9
5.DIP Setting.....	10
5.1 DIP Switches Settings of Doorstation	10
5.2 DIP Switches Settings of Monitor	10
5.3 Notices	12
6.Specifications.....	12
7.Cables Requirements	13

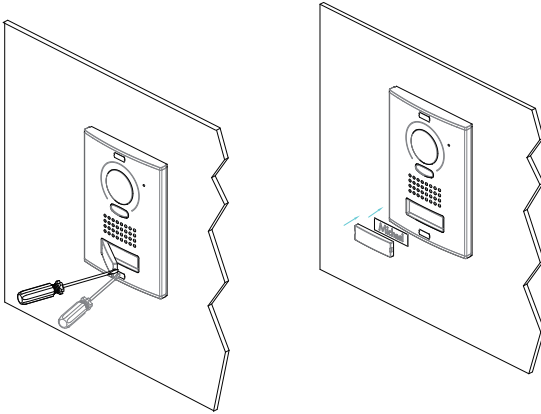
- **+12V:** 12VDC power output.
- **LK-(GND):** power ground.
- **LK+(COM):** electronical load activation relay contact common.
- **NO.:** electronical load activation relay normally open contact(refer to DT technical guide for Lock connection detail informations).
- **EB+:** Exit button.
- **EB-:** Exit buton.
- **JP-LK:** For electronic lock safety type setting(refer to Door Station Lock Connections).
- **T/R-:** USB-RS485 communication terminal negative.
- **T/R+:** USB-RS485 communication terminal positive.
- **SET:** DIP switches for system configurations.
- **PA:** program button A(refer to program section).
- **PB:** program button B.(refer to program section).
- **Bus(L1,L2):** non-polarised bus line.

3.Mounting and Setting

3.1 Door station Mounting

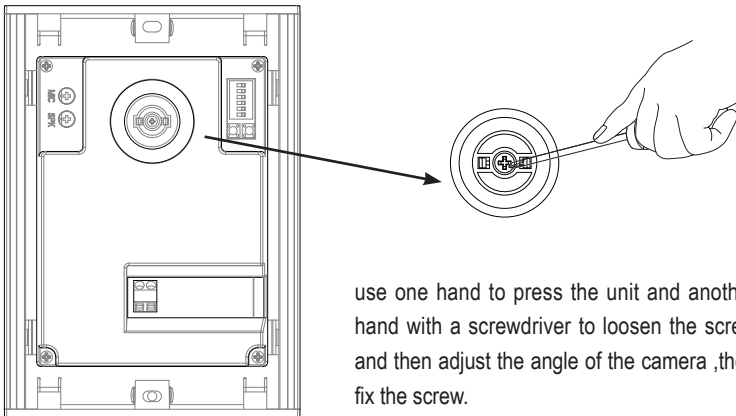


3.2 Placing Name Label



Use a screwdriver to open the transparent name label cover, insert a name paper, then put the plastic cover back to the panel.

3.3 Adjusting Camera Angle



use one hand to press the unit and another hand with a screwdriver to loosen the screw and then adjust the angle of the camera ,then fix the screw.

3.4 Button Mode Setting

You can set either single button mode or double button mode on door station .

- **Single Button Mode:**that means the door station only has one button,it can only call the monitor with it's code among 00~15.please refer to 5.2.
- **Double Button Mode:**that means the door station has two buttons,A button can call the adress 00~15 of the monitor,and B button can call the adress 16~31 of the monitor.please refer to 5.2.

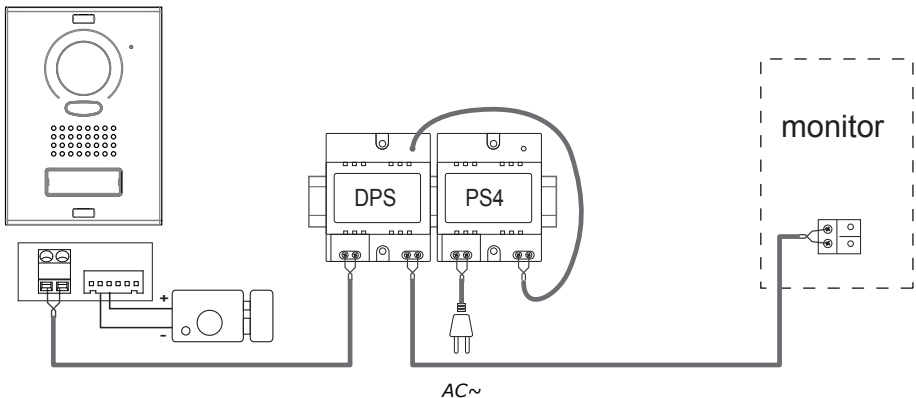
How to set the button mode

1. **Single Button Setting:**set the DIP swiches of Bit 3 on door station to 'on' state (refer to 5.1),single button mode is perform immediatelly,at this mode,you can press A button or B button or both A and B button to call the monitors which code is within 0~15.
2. **Double Button Setting:** set the DIP swiches of Bit 3 on door station to 'off' state (refer to 5.1),double button mode is perform immediatelly,at this mode,you can press A button to call the monitor which code is within 0~15.Or press B button to call the monitors with its' code 16~31.Please note that activating A and B button at the same time is invalid.

Note:single button mode (DIP3=on)is default in restore setting.

4.System Wiring and Connections

4.1 Basic Connection

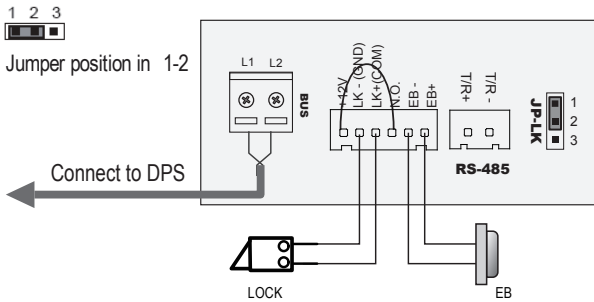


4.2 Electric Lock Connection

4.2.1 Door Lock Controlled with Internal Power

Note:

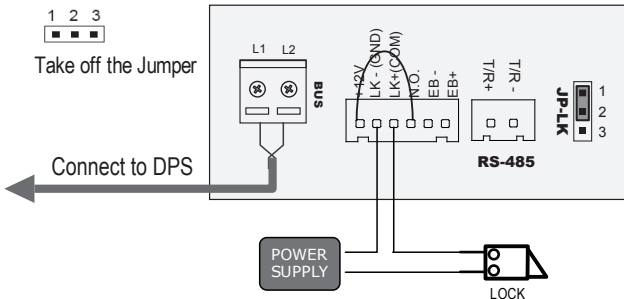
1. Electronic lock of Power-on-to-unlock type should be used.
2. The door lock is limited to 12V, and holding current must be less than 250mA.
3. The door lock control is not timed from Exit Button(EB).
4. The **Unlock Mode** Parameter of Monitor must be set to 0 (by default).



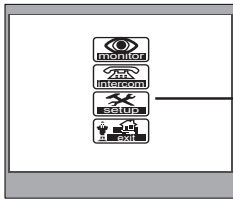
4.2.2 Door Lock Controlled with Dry Contact

Note:

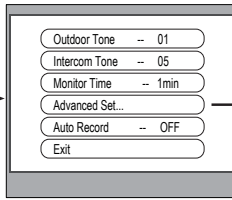
1. The external power supply must be used according to the lock.
2. The inside relay contact is restricted to AC or DC 24V/3A.
3. The jumper must be taken off before connecting.
4. Setup the **Unlock Mode** of Monitor for different lock types.
 - Power-on-to-unlock type:Unlock Mode=0 (by default)
 - Power-off-to-unlock type:Unlock Mode=1



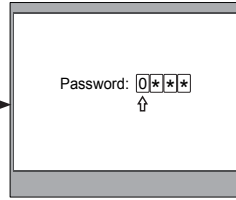
4.2.3 How to setup the unlock parameter in Monitor



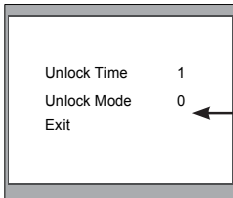
1. Press MENU button twice to enter the MAIN MENU page, then press setup item.



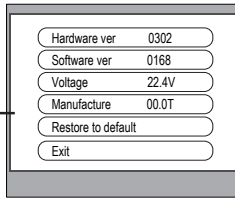
2. Select Advanced Set... item and press MENU button to enter, a password will be asked.



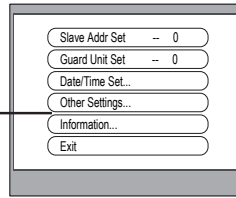
3. The default password is 2008. Press ▲ / ▼ button to change the value, Press ◀ / ▶ button to select the location, after finishing, press MENU button to enter next step.



6. Use ▲ / ▼ to select the item, use ◀ / ▶ to change the value of the item. select Exit item, press MENU button to save the settings automatically.



5. Press UNLOCK button and hold for 2s.

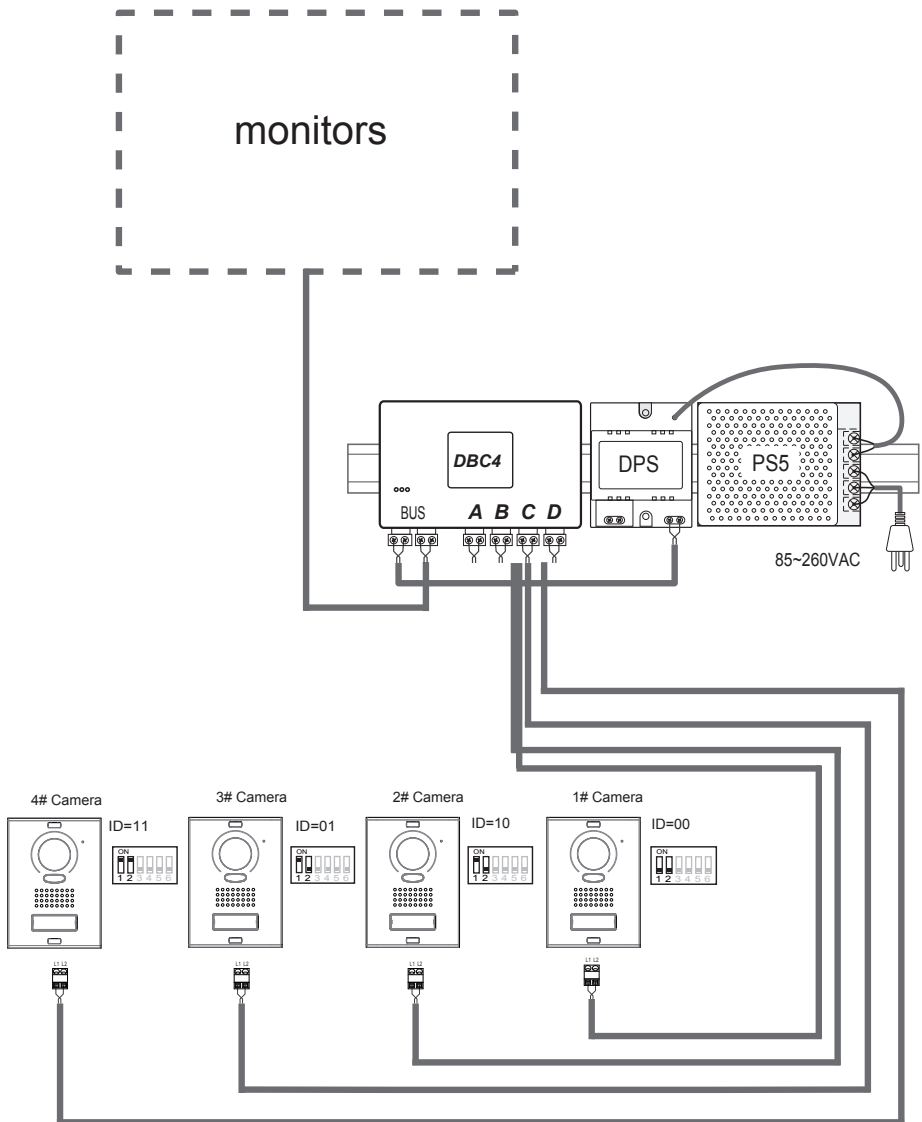


4. Select Information... item and press MENU button to enter next page.

Note:

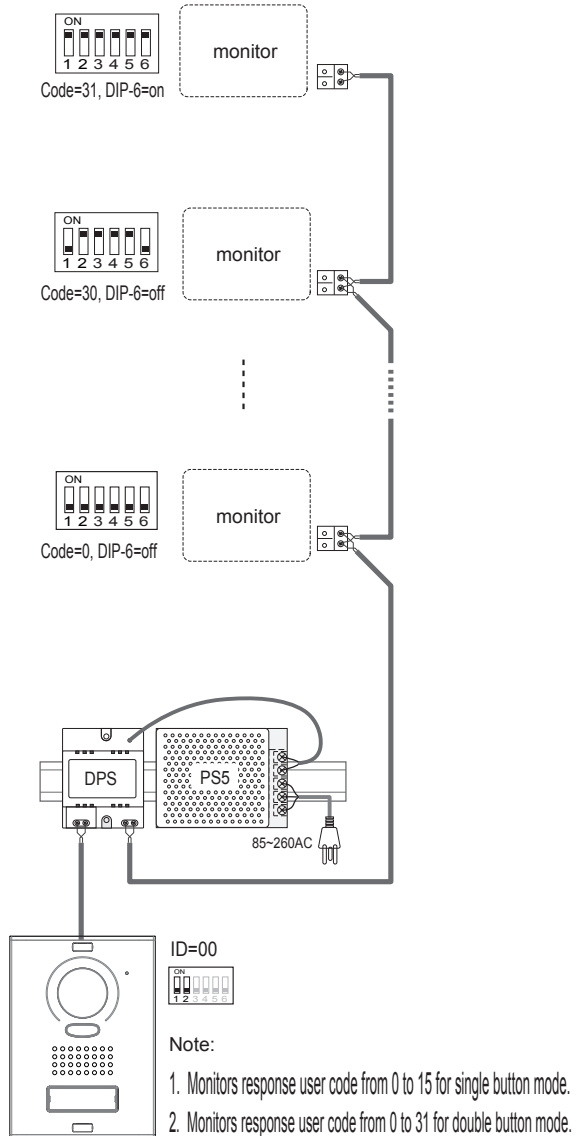
1. must connect DT598 correctly before setting.
2. the parameter will be saved in DT598 automatically, so you need only set on one monitor.
3. the above settings are not fit for T-views series monitors. Please refer to T-views series monitor user manual to how to set the unlock parameter.

4.3 Multi Door stations Connection

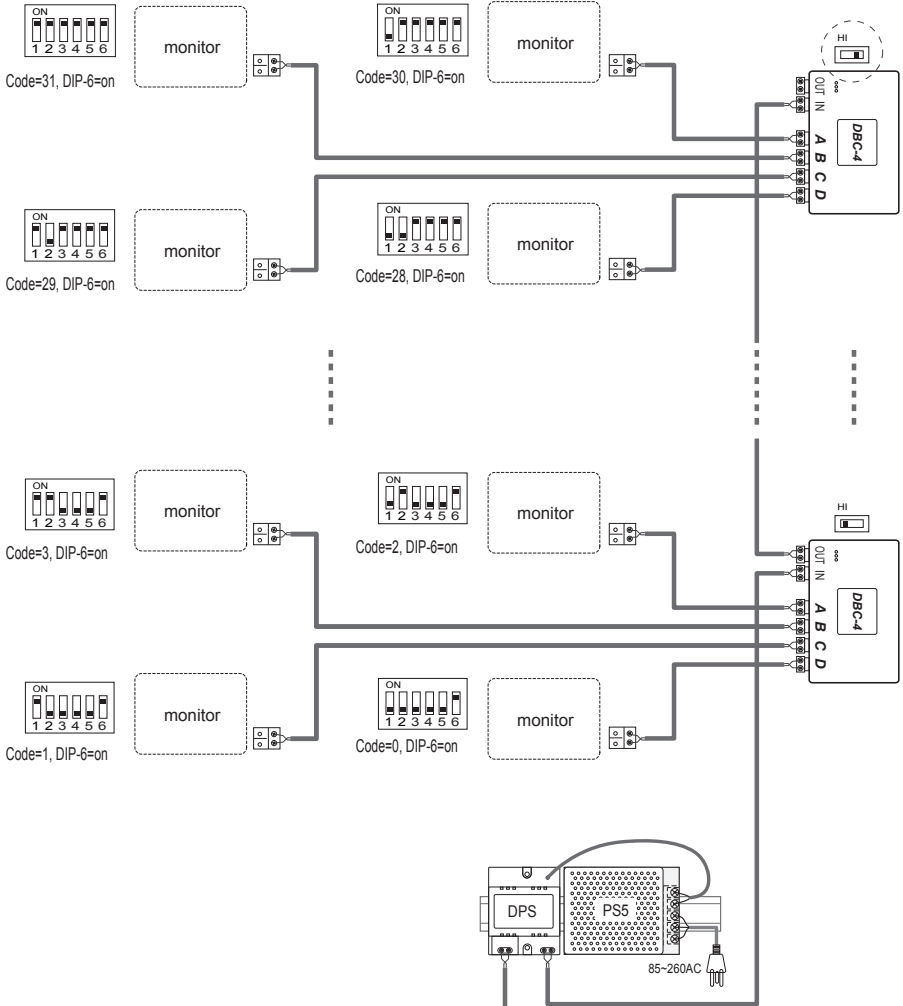


4.4 Multi Monitors Connection

4.4.1 Basic IN-OUT Wiring Mode



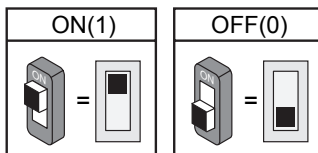
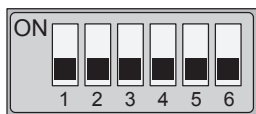
4.4.2 With DBC-4 Wiring Mode



Note:

1. Monitors response user code from 0 to 15 for single button mode.
2. Monitors response user code from 0 to 31 for double button mode.

5.DIP Setting



5.1 DIP Switches Settings of Doorstation

Total 6 bits in the DIP switches can be configured. The switches can be modified either before or after installation, but restart the power supply is needed whenever the switches have been modified.

- Bit-1 and Bit-2 is for door station ID settings, when mutil door stations are installed in the system, these two bit must be set correctly, the first door station set to 00, the second one set to 01, the third one set to 10, the fourth one set to 11. If only one door station is installed, set to 00.
- Bit-3: Single button mode or double line button mode for door station selection. set 'on' state to be single button mode, set 'off' state to be double line button mode.
- Bit-4: reserved and unused.
- Bit-5: Unlocking time quick selection, by default it is set to 0, for 1 second unlocking time; set to 1 for 5 seconds.
- Bit-6: reserved and unused.

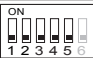
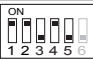
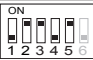




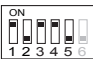
























5.2 DIP Switches Settings of Monitor

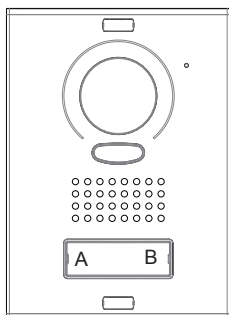
There are 6 bit switches in total. The DIP switches are used to configure the User Code for each Monitor.

Bit-6 is line terminal switch, which have to be set to ON if the Monitor is in the end of the line(bus), otherwise set to OFF.

Bit state	Setting	Bit state	Setting
	The monitor is not at the end of the bus.		The monitor is at the end of the bus.

Bit-1 to Bit-5 are used to User Code setting. The value is from 0 to 31, which have 32 different codes .

Bit state	User Code	Bit state	User Code	Bit state	User Code
	Code=0		Code=11		Code=22
	Code=1		Code=12		Code=23
	Code=2		Code=13		Code=24
	Code=3		Code=14		Code=25
	Code=4		Code=15		Code=26
	Code=5		Code=16		Code=27
	Code=6		Code=17		Code=28
	Code=7		Code=18		Code=29
	Code=8		Code=19		Code=30
	Code=9		Code=20		Code=31
	Code=10		Code=21		



Note:

1. If the button mode is set to single button mode for door station,monitors response user code from 0 to 15.
2. If the button mode is set to double button for door station,monitors response button A must set the user code from 0 to 15.and button B set the user code from 16 to 31.

5.3 Notices

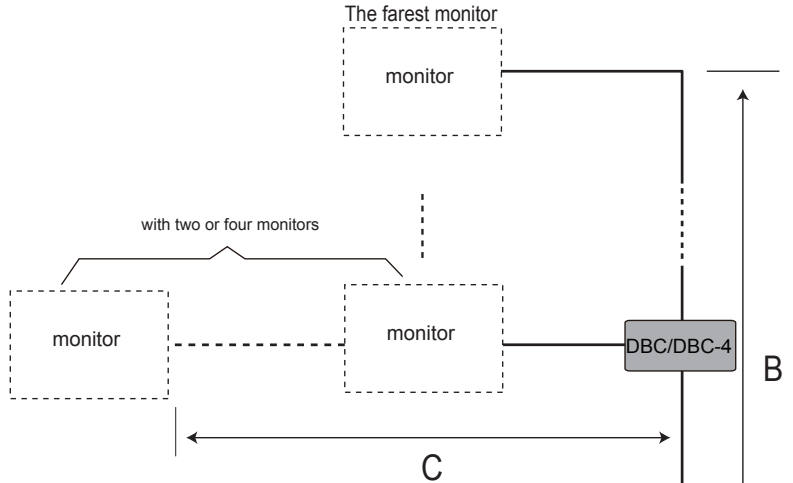
Name	Discription	Usage
PS5-24V	Power supply,85~260Vac input,24Vdc/3A output,10 DIN modules	Connect with multi doorstations or multi monitors(up to 2 or above)
PS4-24V	Power supply,85~260Vac input,24Vdc/1A output,for basic kit only,4 DIN modules	Connect with one doorstation and one monitor.

6.Specifications

Lock Power supply:	12Vdc, 300mA(Internal Power)
Power Consumption:	1W in standby, 12W in working
NO, COM dry contact:	Max. 48V dc 1.5A
Unlocking time:	1 to 9 seconds, set by Monitor
Working temperature:	-10°C ~ 45°C

7.Cables Requirements

The maximum distance of the wiring is limited in the DT system. Using different cables may also affect the maximum distance which the system can reach.



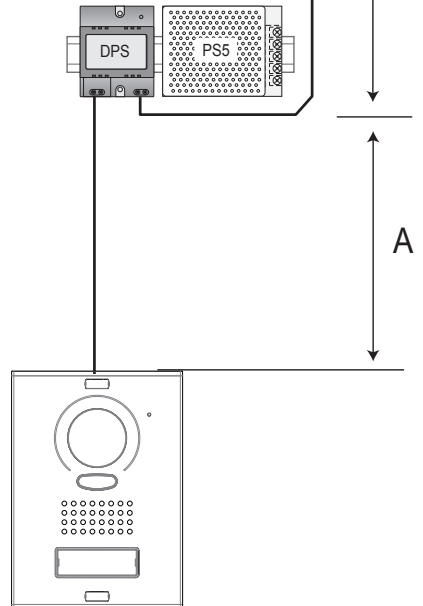
When Monitor quantity < 20

Cable Usage	A	B	C
Twisted cable 2x0.75 mm ²	60	60	30
Twisted cable 2x1 mm ²	80	80	40

When Monitor quantity > 20

Cable Usage	A	B	C
Twisted cable 2x1 mm ²	70	30	20
Twisted cable 2x1.5 mm ²	70	50	30

Note: If the monitor has been specified the distance, refer to the parameter.





The design and specifications can be changed without notice to the user. Right to interpret and copyright of this manual are preserved.
