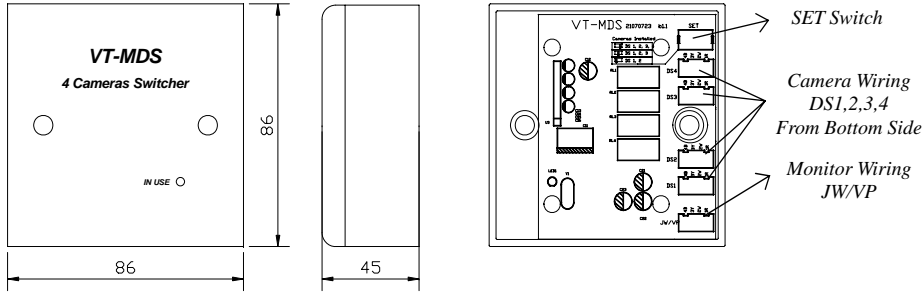


4 Cameras Switcher for VT05 system

VT-MDS switcher is used in VT05 Single Entry Video Doorphone system, for the purpose of extending 2~4 Cameras.



Features:

- Connecting 2~4 Cameras (Outdoor stations or CCTV Cameras)
- No extra power supply needed
- SET switch to select quantity of extended Cameras
- IN USE led indicates working state
- 86*86mm standard Installation Box
- Suitable for Color or B&W, CCIR or EIA monitors

Parts List:

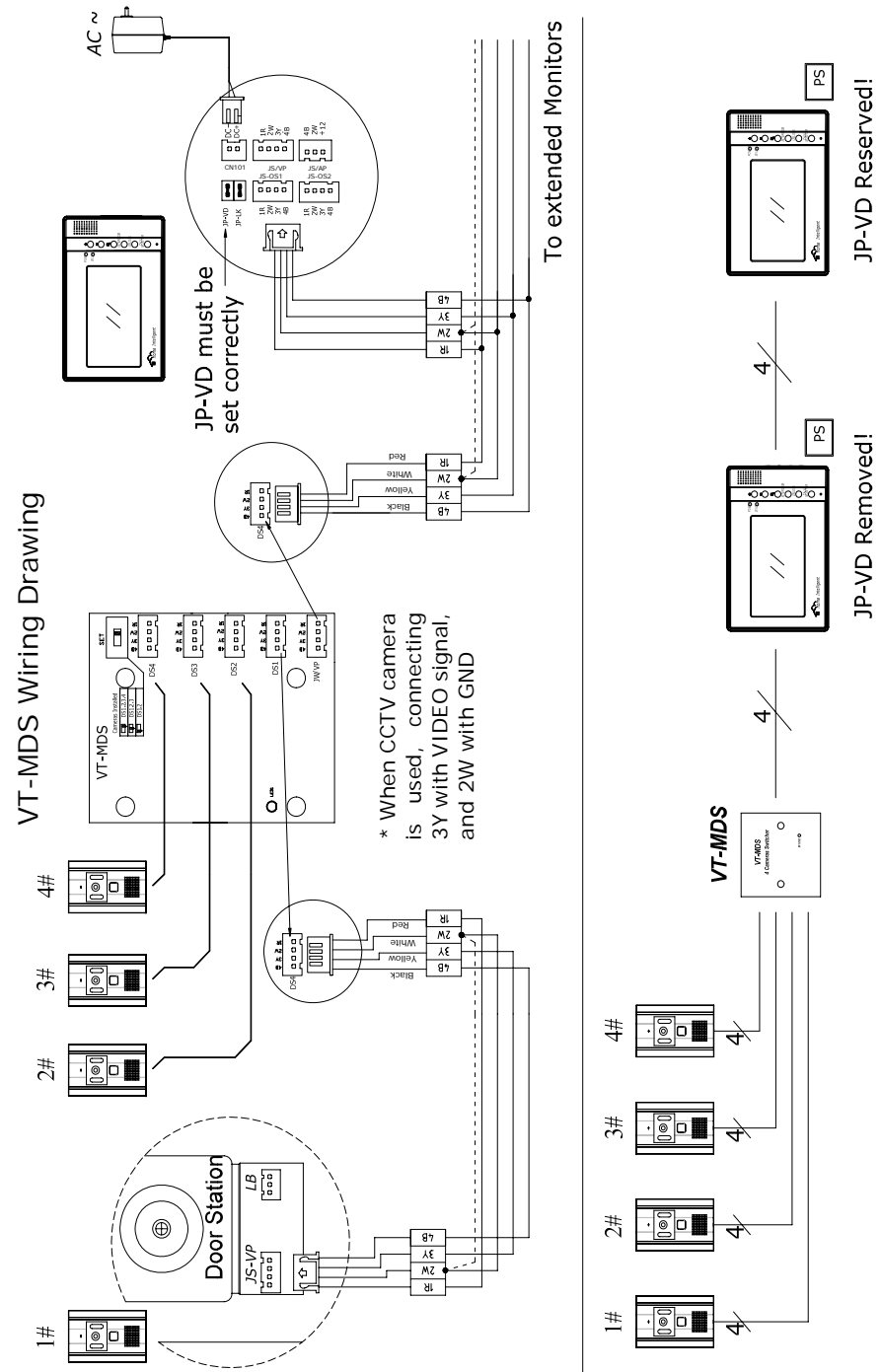
- VT-MDS part
- 5 pcs C3-4P Wiring Cable, colors in RED, WHITE, YELLOW, BLACK

Mount Instruction:

- Install the 86 Bottom Box on the wall, or using a existing bottom Box
- Wire the cables, and test the single entry system.
- Mount the Front Panel with the Installed Bottom Box.

Specifications:

- Power Supply: DC 10~12V (Powered by Monitors)
- Video Switcher: 6dB Gain, 0~6MHz, 75Ohm Impedance
- Audio Switcher: Relay contact, < 0.2Ohm
- Shielded cable RVVP4*0.3mm² is needed when less than 30m distance from monitor to camera; Co-axial Cable should be used to connect 3Y and 2W if over 30m distance.



- Note:**
- The SET switch must be set to the position according to the Cameras Numbers
 - If multi monitors are installed, the JP-VD jumper must be set correctly
 - If 680/686/684/687 monitors are involved, connecting terminals in 210W Board on bracket